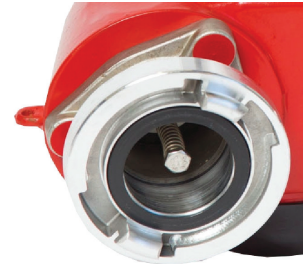
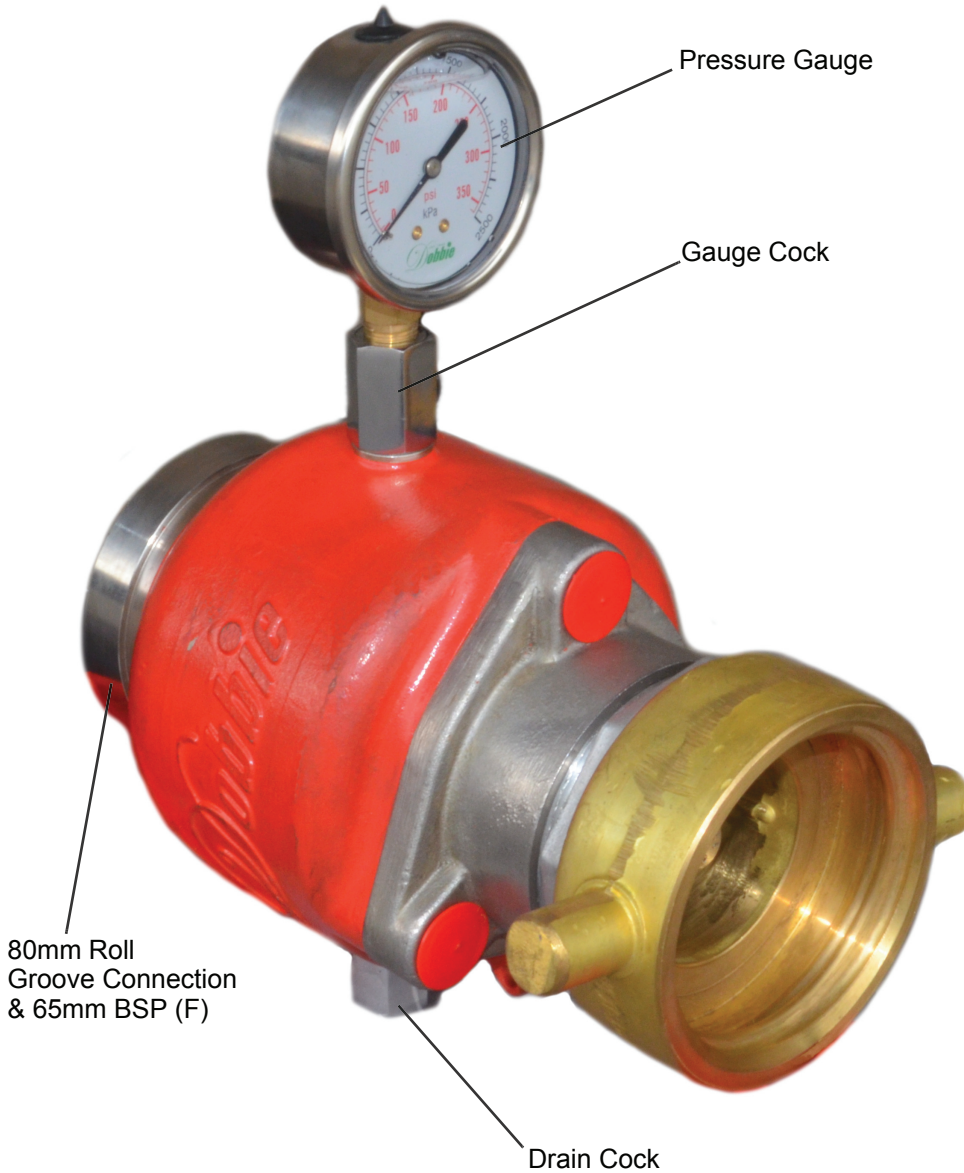


Dobbie Boosters are manufactured to AS2419.3: 2012

Product Code: B080SSAFB

Available Fire Brigade Connections



Storz



B.I.C.



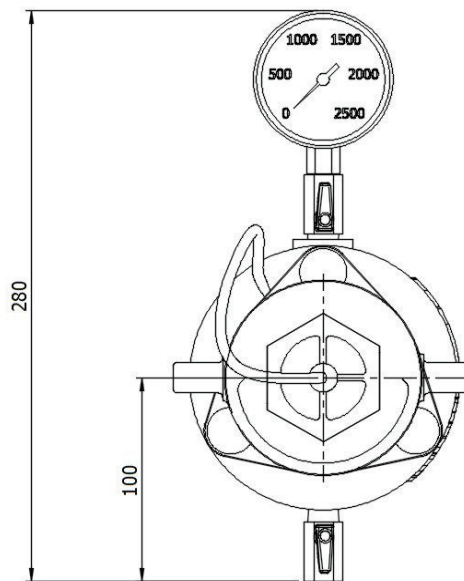
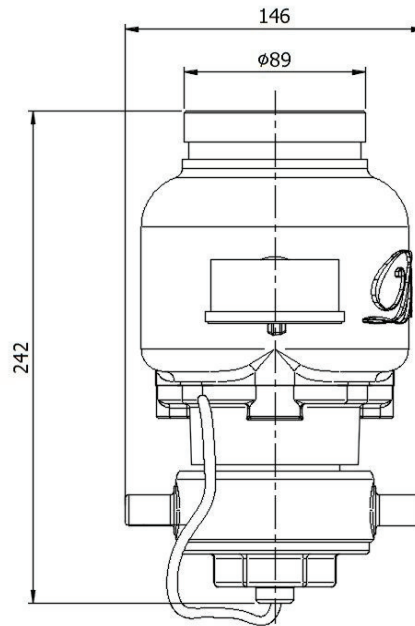
CFA / SAFB / QRT

Dobbie fire boosters, manufactured right here in Australia, are manufactured to AS2419.3:2012. In fact, Dobbie was the first company to have a booster approved under the 2012 Standard. The new style Dobbie fire booster was designed by Dobbie's team of fire specialists. With over 50 years combined expertise between them they developed the booster from concept through to production.

The result is a booster that not only conforms to the current Australian Standard but is also easy to install, efficient in the field and extremely cost competitive against the plethora of imported product. Our ongoing QA commitment demands fire boosters are individually tested ensuring a quality product with problem free performance. As Dobbie boosters are made here in Australia, it is possible to have them re-configured for specialty applications up to Class 21. This makes them suitable for most high-rise commercial buildings.

Dobbie fire boosters come in a range of sizes and configurations, including 80mm Single; 100mm Dual; & 150mm Quad. All boosters have R/G outlet connections (the single booster additionally has 65mm BSP (f)) and are available with couplings to suit all state fire authorities.

Dimensions & Installation Details



Installation

Height to centre of fire brigade connections to be between 750-1200mm above Finished Ground Level.
 Minimum clearance of 225mm from the centre of fire brigade connections to other obstructions.
 See AS2419.1 for further installation details.

Product Codes

Single Booster
 Storz: B080SSTZ
 B.I.C.: B080SBIC
 CFA: B080SCFA
 SAFB: B080SSAFB
 QRT: B080SQRT

Materials:

Body: Stainless Steel (Coated)
 Check Assembly: Stainless Steel
 Fire Brigade Connection: SAFB - Gunmetal
 Cap: PP RED
 Gauge: Stainless Steel (GF)